

# Recording with a VCR or DVD recorder and digital TV

## Record one channel and watch a different one

After analog TV signals are switched off you will still be able to **play** all your old analog videos or DVDs without any new equipment. However, if you want to **record** digital TV, you will need to connect specific equipment, including a set-top box or Viewer Access Satellite Television (VAST) set-top box and splitter or distribution amplifier.

There are many ways of connecting different recording equipment through your television. This option allows you to record digital TV programs on your VCR or DVD recorder (DVDR) while you watch a different digital channel live via your digital TV.

Refer to page 2 and 3 for setup instructions. Refer to page 4 for tuning and recording instructions.

## Help is available

Approved Digital Advisors are available at participating retailers to help you understand your digital TV recording options and talk through your individual needs.

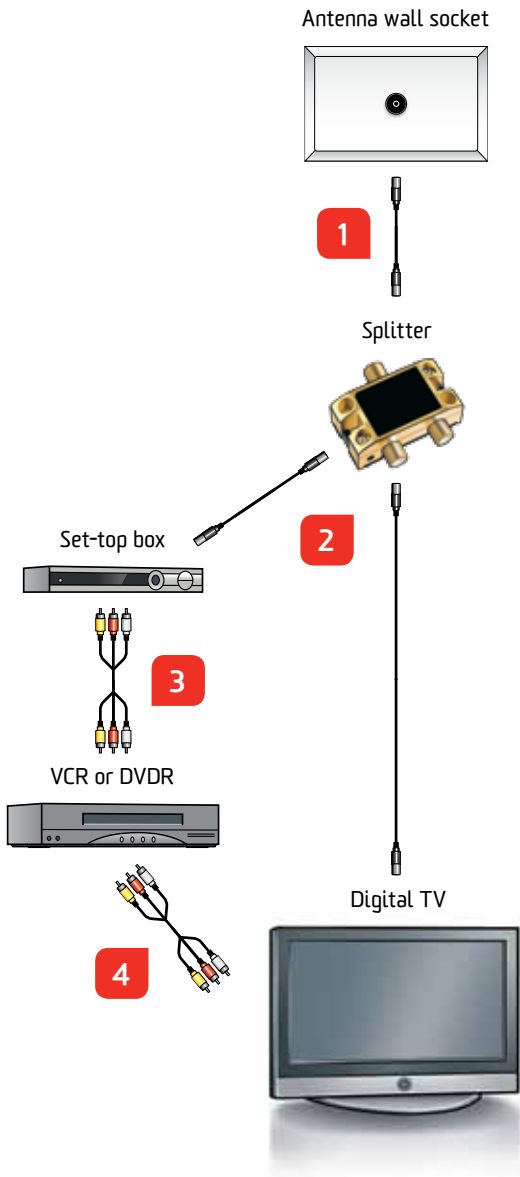
If you'd like to know more about the switch to digital TV, or to find your nearest approved Digital Advisor, please visit [www.digitalready.gov.au](http://www.digitalready.gov.au) or call the Digital Ready Information Line on **1800 20 10 13**.



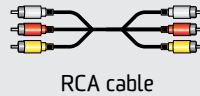
Australian Government

# Recording with a VCR or DVD recorder and digital TV

## Record and watch the same channel



## What you will need



Antenna cable or fly lead

## Standard setup instructions

Turn off the TV at the mains, as well as any other equipment connected to it, including your VCR or DVDR.

**Step 1** Plug the antenna cable from the wall to a splitter. This allows the signal from the antenna to be used by two different digital receivers, in this case, your set-top box and digital TV.

**Step 2** Connect one splitter output to the antenna input on your TV and the other splitter output to the set-top box.

**Step 3** Then connect the set-top box to your VCR or DVDR using an RCA cable. The yellow plug goes to the yellow socket, the red plug to the red socket and the white plug to the white socket.

**Step 4** Connect your VCR or DVDR to your TV using an RCA cable.

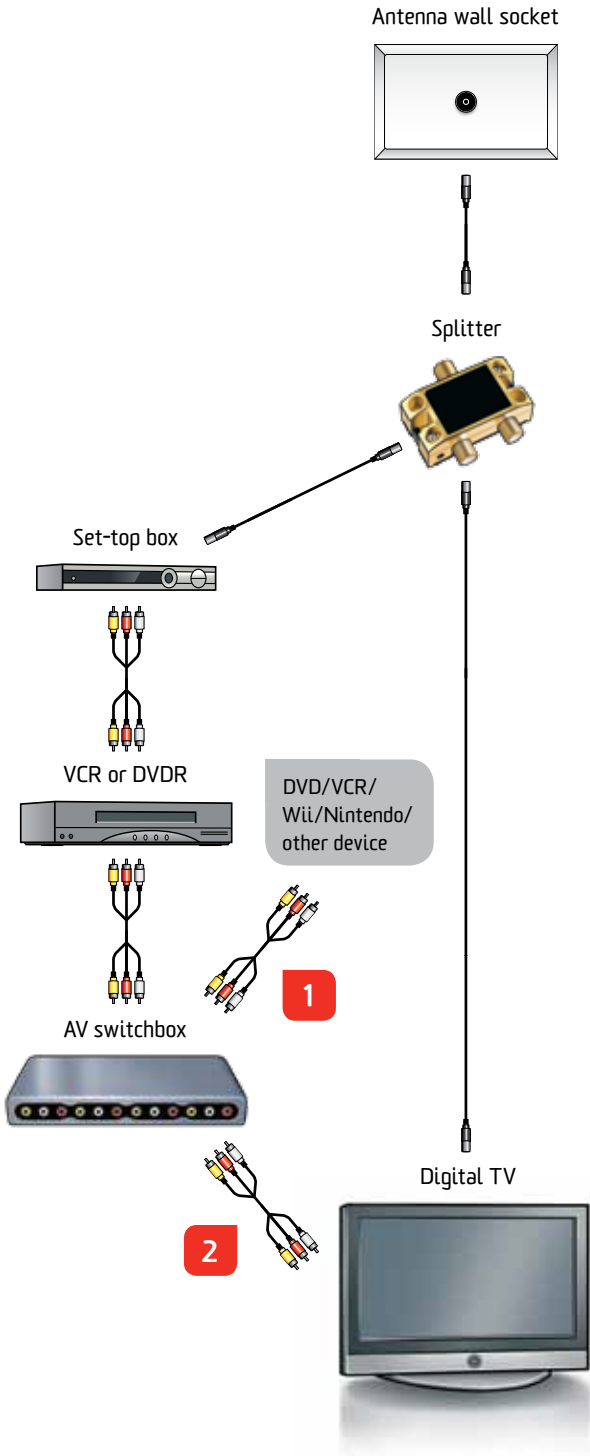
**Step 5** To see the programs from the set-top box choose 'AV' on your TV remote control and then choose 'AV' on your VCR or DVDR remote control.

**Step 6** To watch live TV, use the TV remote control and choose 'DTV' as your input or source.

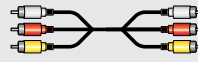
**Step 7** To watch videos, choose 'AV' on your TV remote control and press 'play' on the VCR or DVDR.

# Recording with a VCR or DVD recorder and digital TV

## Record and watch the same channel



## What you will need



RCA cable



Antenna cable or fly lead

## Adding other equipment

You can also add other equipment to your TV, such as DVD players and game consoles, by adding an AV switchbox.

Using the same setup as on page 2, all you need to do is:

- Step 1** Connect your VCR or DVDR and DVD player/gaming console etc to the AV switchbox.
- Step 2** Then connect the AV switchbox to your TV using another RCA cable.
- Step 3** Label the switchbox so you know which button/switch is for watching recorded programs and which one is for live TV.
- Step 4** Manually choose the option you want to use on the switchbox (you can easily add other devices through the switchbox as well).

# Recording with a VCR or DVD recorder and digital TV

## Tuning instructions

- Retune both your set-top box and digital TV through their individual 'setup' menus. (Note: different receivers can have different names for retuning, depending on your manufacturer, such as 'rescan', 'store channels' or 'replace'.)


## Recording instructions

- Use the set-top box remote to select the channel you wish to record.
- When the program comes on, press 'record' on the VCR or DVDR remote. (Note: there are limited timer functions available with this option).
- Using the TV remote control, choose 'DTV' as your input or source and select the channel you wish to watch.

Please note that the information in this factsheet is of a general nature and may not be the best option for your situation.

Want more  
information?

Contact the Digital Switchover Taskforce:

 1800 20 10 13

 [www.digitalready.gov.au](http://www.digitalready.gov.au)

